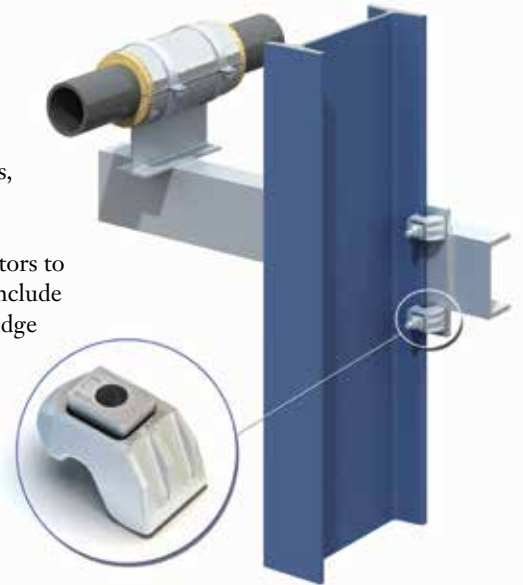


LINDAPTER USA – TYPE AAF

The Type AAF is a new high-slip-resistance (HSR) clamp for connecting steel sections, offering adjustability, anti-corrosion protection (it's hot-dip galvanized) and high load capacities, even in low-temperature environments. The clamp features an innovative two-part design that self-adjusts to suit a range of flange thicknesses, allowing contractors to use a single product type for multiple connection requirements. Typical applications include connecting steel-framed roofs, pipe supports and mechanical equipment, as well as bridge and offshore platform renovations. Direct tension indicators (DTIs) can be used to ensure the correct tension is applied to the fasteners during installation. The clamp is available in ½-in. and ⅝-in. sizes.

For more information, visit www.lindapterusa.com or call 610.590.2160.



VOORTMAN – THE FABRICATOR

The Fabricator is the first fully automated assembling and welding system that includes three beam rotators in which a beam is placed by a CNC crane that can be directly connected to a beam processing line. The handling robot picks up the detail from the high-speed shuttle and positions the detail on the beam in the correct position with data from the model. The three welding robots weld the detail to the beam based upon the weld information from the model. Visit www.voortman.net/video/fabricator to see a video of the system in action.

For more information, visit www.voortman.net or call 815.468.6300.

HOUGEN MANUFACTURING – HMD905

The new HMD905 magnetic drill offers a major performance improvement over manufacturer's mid-range line of drills, giving fabricators more strength and torque while still maintaining a small, lightweight footprint. New features include a magnetic drill pilot light for low-light or no-light operation, a two-speed motor, an improved arbor system for quicker change-out of accessories, a hex wrench holder, a two-stage magnet and the company's operator safety system. The drill offers a hole capacity up to 1 5/8 in. in diameter and 2 in. deep and weighs 35 lb.

For more information, visit www.hougen.com or call 800.426.7818.

